

APPLICATION:

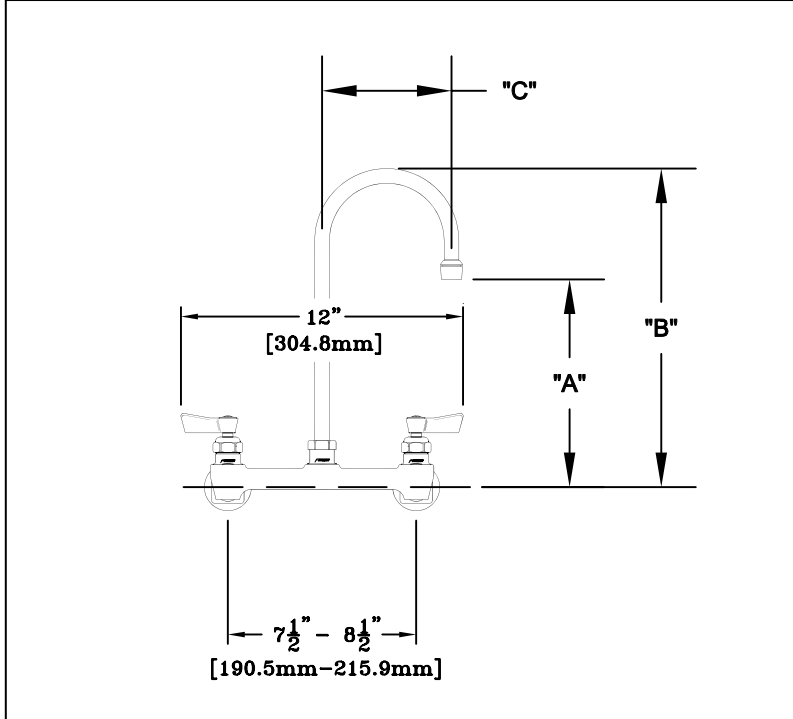
JOB NAME:

QUANTITY:                      ITEM NO.

PRODUCT NAME:

8" ADJ. WALL FAUCET

\_\_\_\_\_ SPECIAL CONFIGURATION  
CHECK BASE MODEL AND OPTIONS



MODEL	DIM "A"	DIM "B"	DIM "C"
3255	8-1/4" [209.6mm]	12-1/4" [311.2mm]	5-1/2" [139.7mm]
1945	4-1/2" [114.3mm]	8-1/16" [204.8mm]	3-1/2" [88.90mm]

MODEL:

3255 W/ 12" SWIVEL GOOSENECK SPOUT

1945 W/ 6" SWIVEL GOOSENECK SPOUT

OPTIONS OR MODIFICATIONS:

SUPPLY LINES (24" OR 36") CIRCLE LENGTH

NIPPLES

ELBOWS

HANDLES (CROSS OR WRIST) CIRCLE STYLE

VANDAL RESISTANT KIT

OTHER \_\_\_\_\_

- FEATURES
- \* ECCENTRICS ADJUST FROM 7-1/2" TO 8-1/2"
  - \* SWIVELLING SEAT DISKS
  - \* HOT SIDE STEM - RIGHT HAND, COLD - LEFT HAND
  - \* STAINLESS STEEL SEATS
  - \* STAINLESS STEEL SEAT SCREWS
  - \* STAINLESS STEEL HANDLE SCREWS

- SYSTEM LIMITS
- \* TEMP: 40°F MIN. TO 140°F MAX.
  - \* PRESSURE 200 PSI MAX. STATIC
  - \* 2.20 GPM @ 60 PSI

SHIPPING WEIGHT

\* 3.5 LBS

ROUGH-IN:

